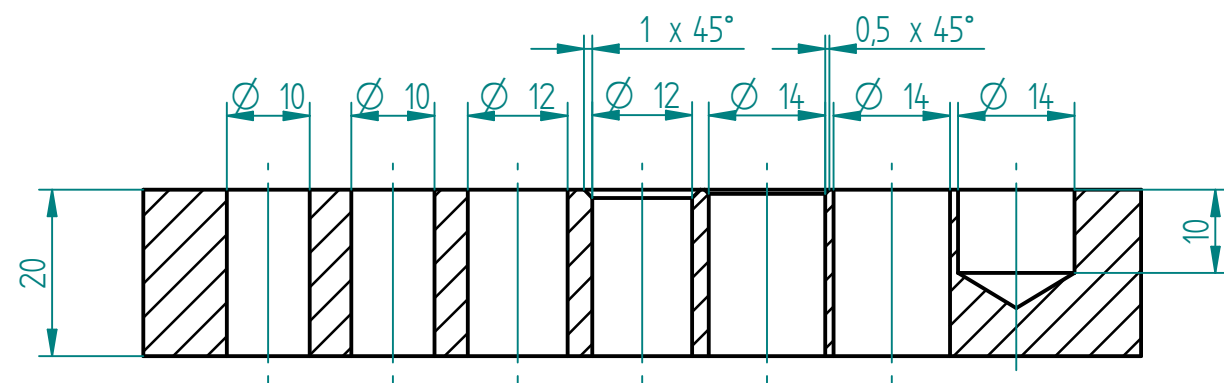
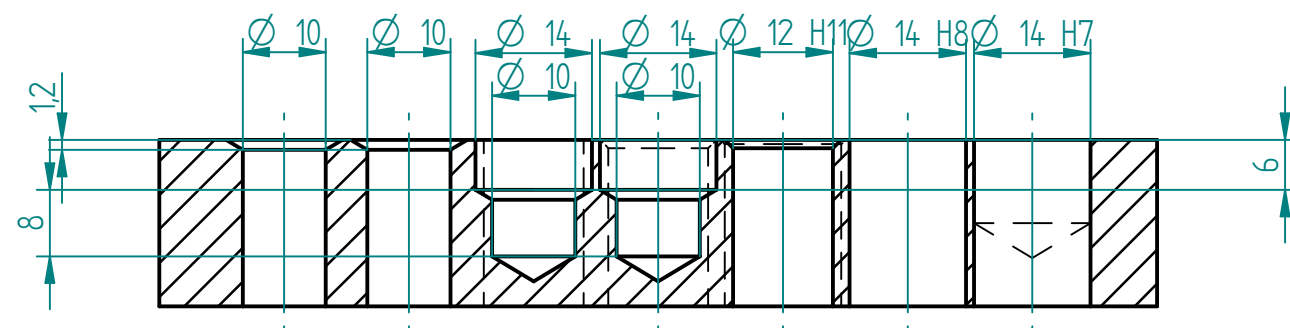


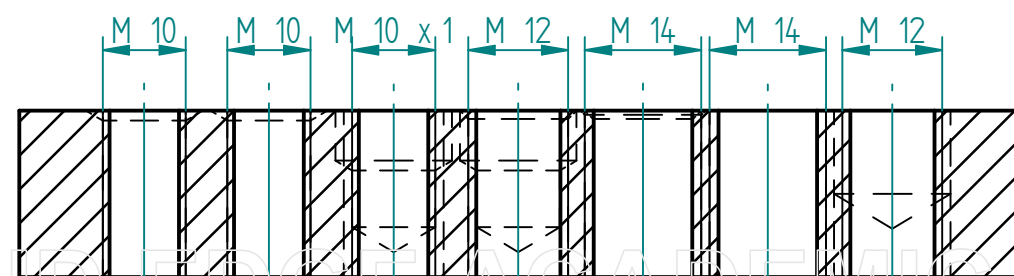
REVISION HISTORY			
REV	DESCRIPTION	DATE	APPROVED



SECTION A-A



SECTION B-B



SECTION C-C

	NAME	DATE	<h1>Solid Edge</h1> <p>Závěrečná zkouška-pilotáž</p>		
DRAWN	SISMA O.	04/28/13			
CHECKED					
ENG APPR					
MGR APPR					
UNLESS OTHERWISE SPECIFIED DIMENSIONS ARE IN MILLIMETERS ANGLES ±X.X° 2 PL ±X.XX 3 PL ±X.XXX			SIZE	DWG NO	REV
			A3	UNIV3-001	
			FILE NAME: Výkres_1.dft		
			SCALE:	WEIGHT:	SHEET 1 OF 1

SOLID EDGE ACADEMIC COPY